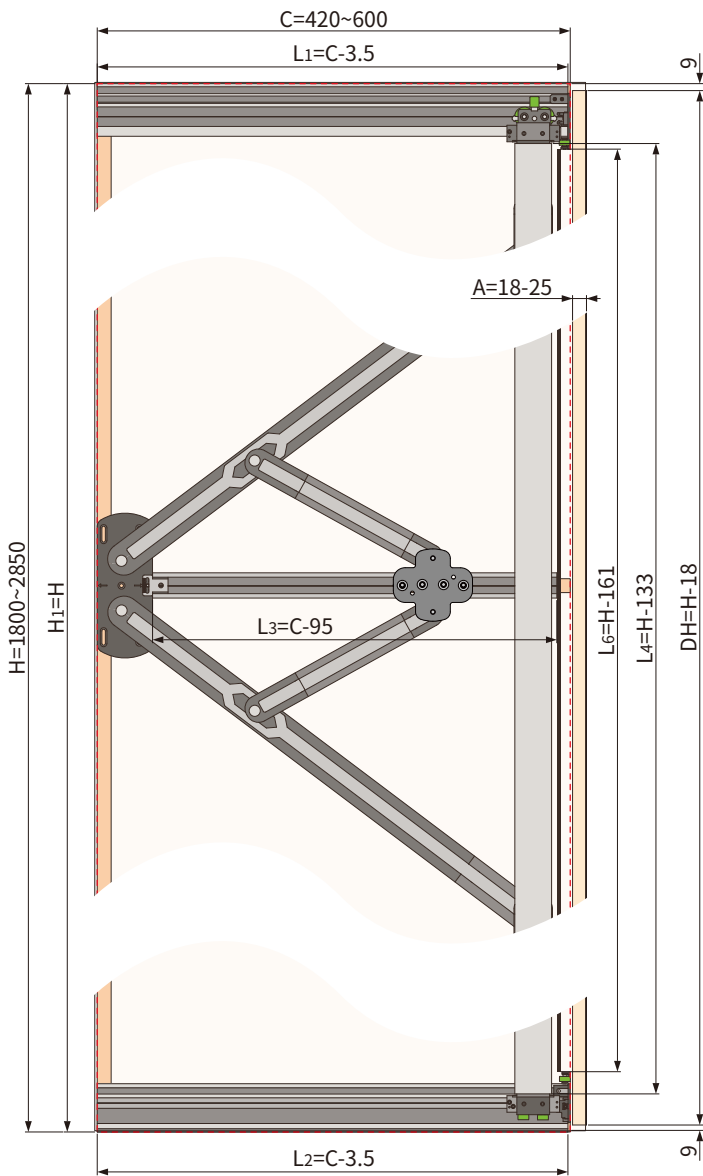
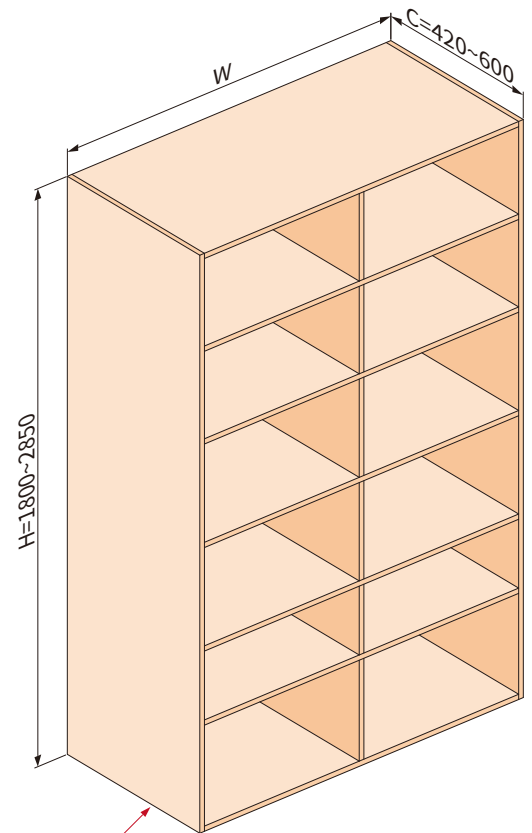
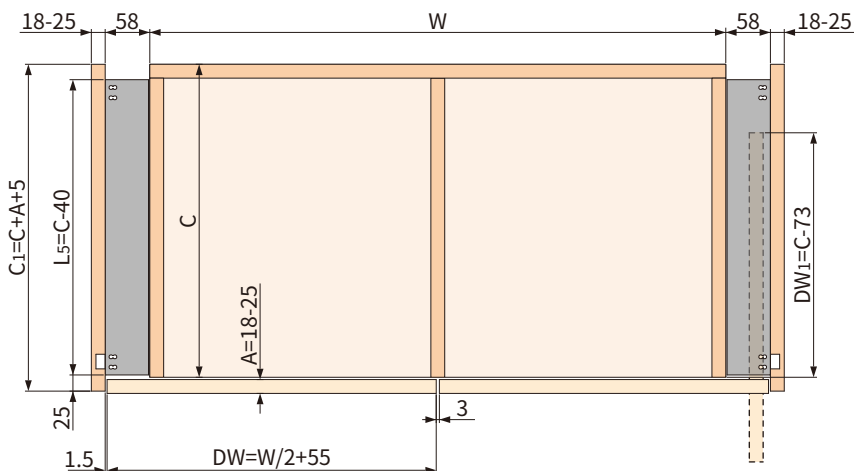


## Installation parameter

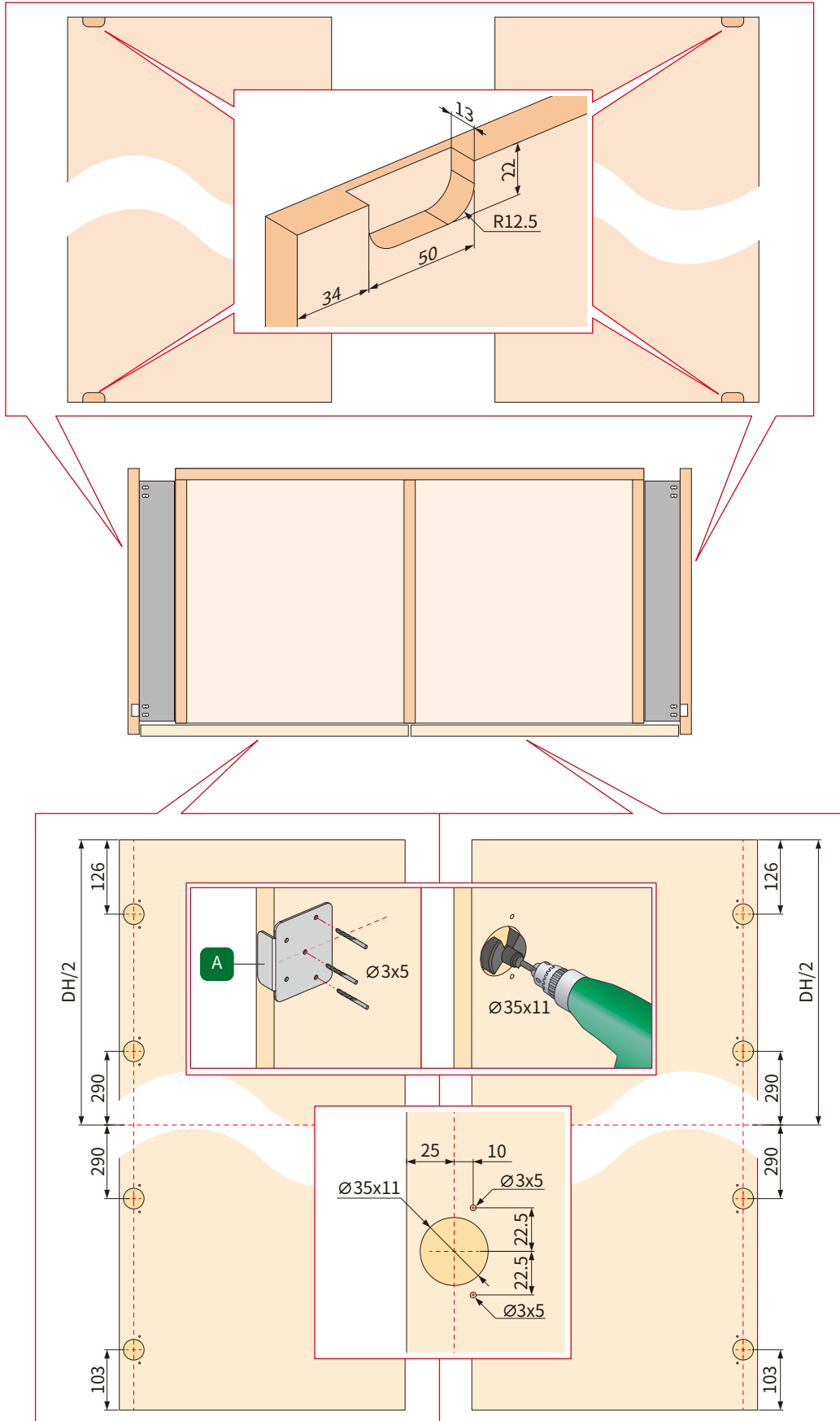


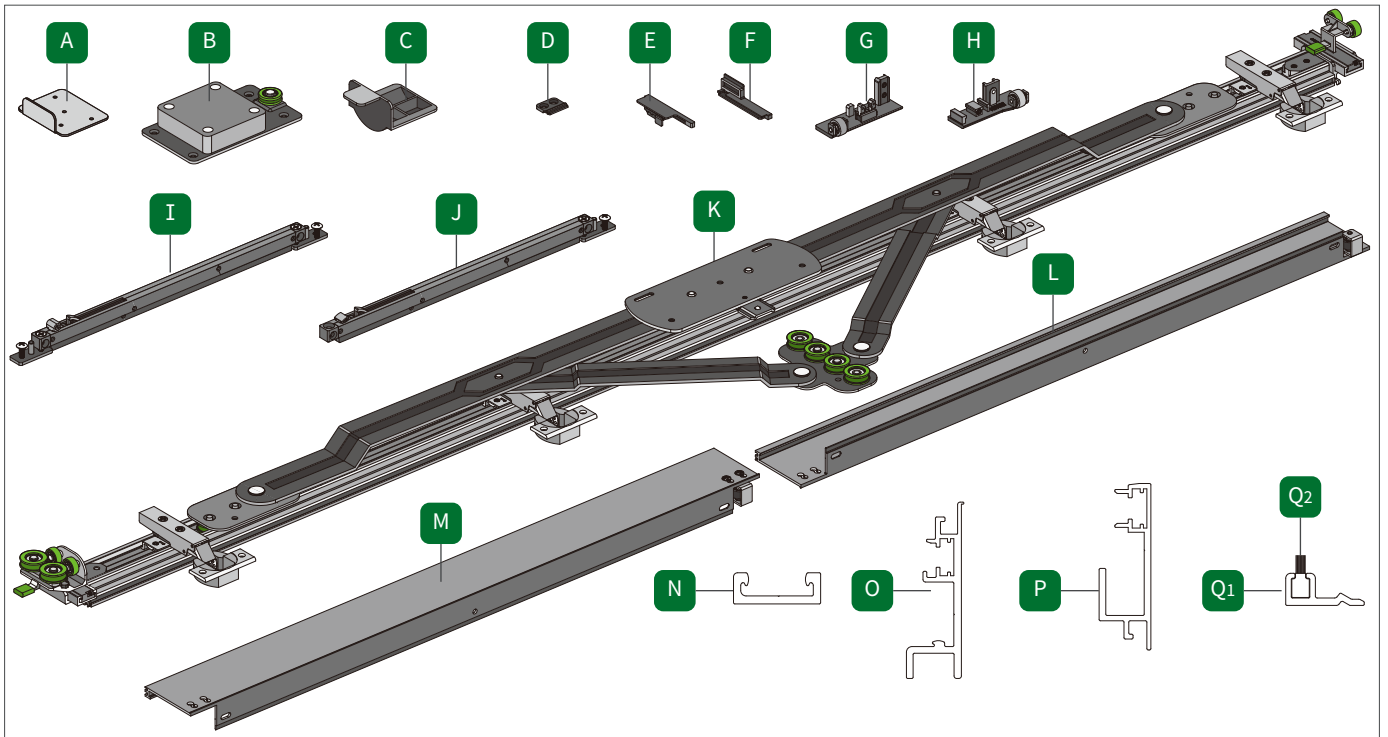
A	The thickness of the door panel	L1	The length of the upper track
C	The depth of the cabinet	L2	The length of the bottom track
C1	The depth of the seal panel	L3	The length of the middle track
H	The height of the cabinet	L4	The height of the axis
H1	The height of the seal panel	L5	The length of the connected panel
DH	The height of the door panel	L6	The length of the profile for weather strip & brusher
DW	The width of the door panel		
DW1	The depth of the pocket	W	The width of the cabinet



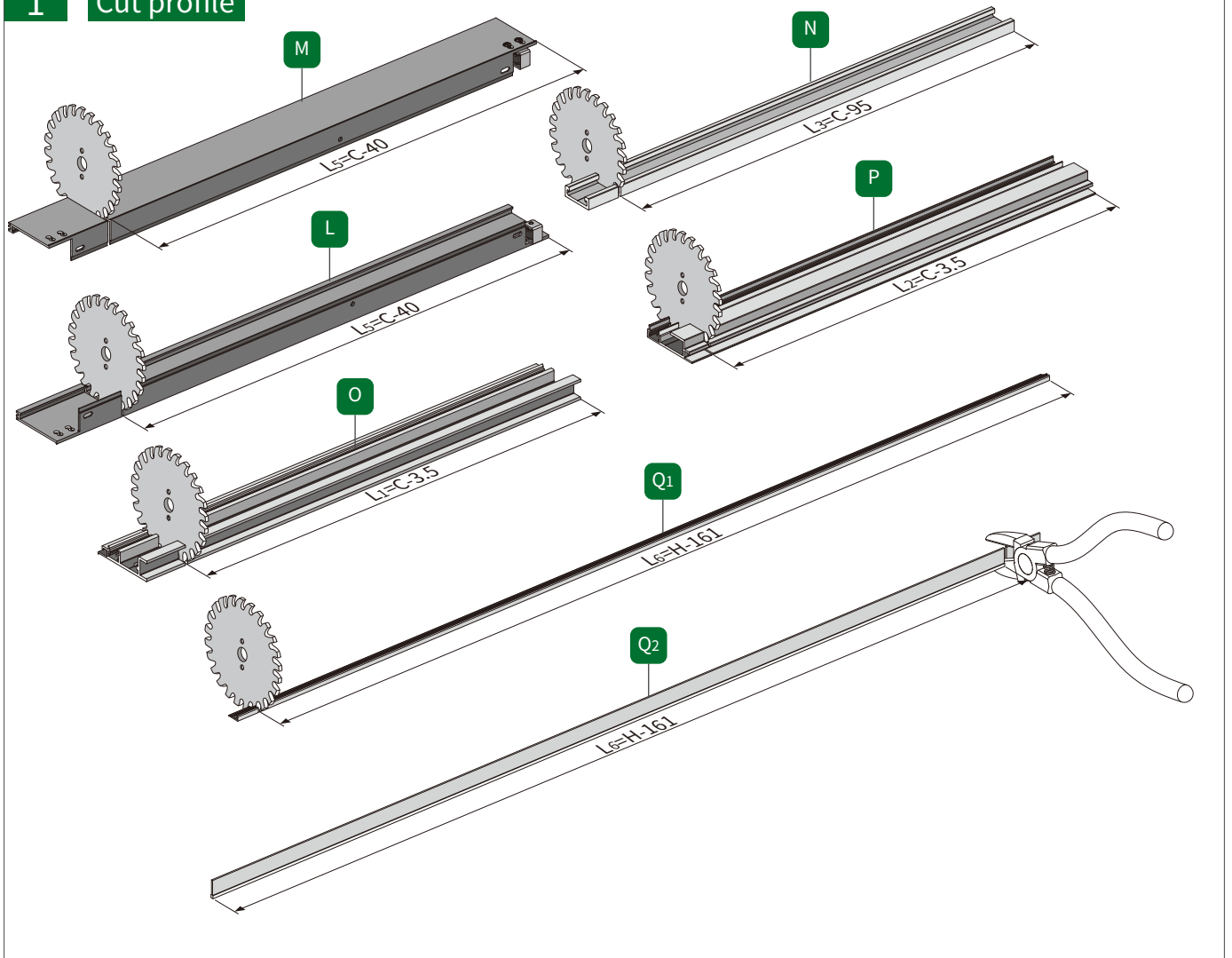
Note: No Baseboard

Installation parameter

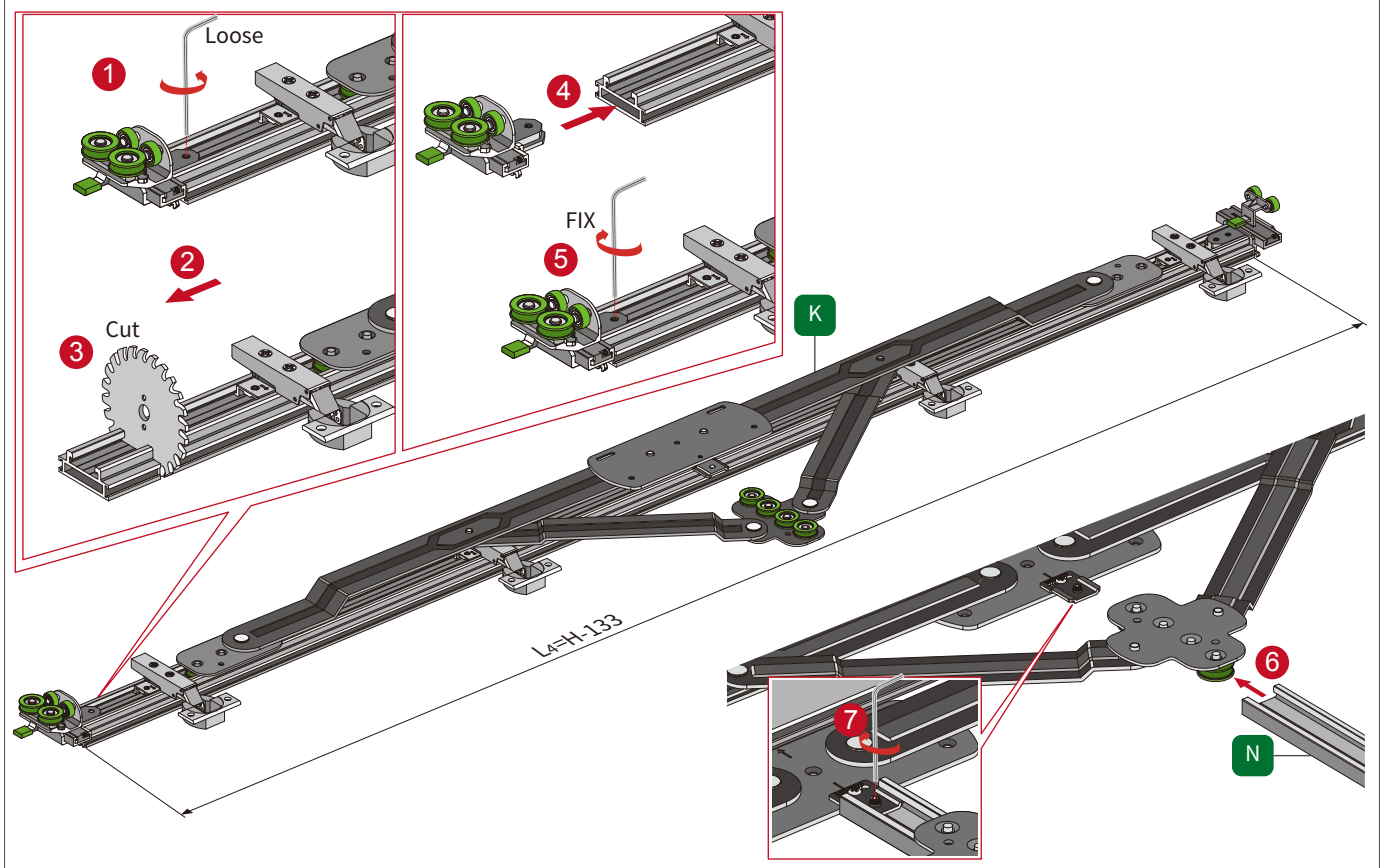




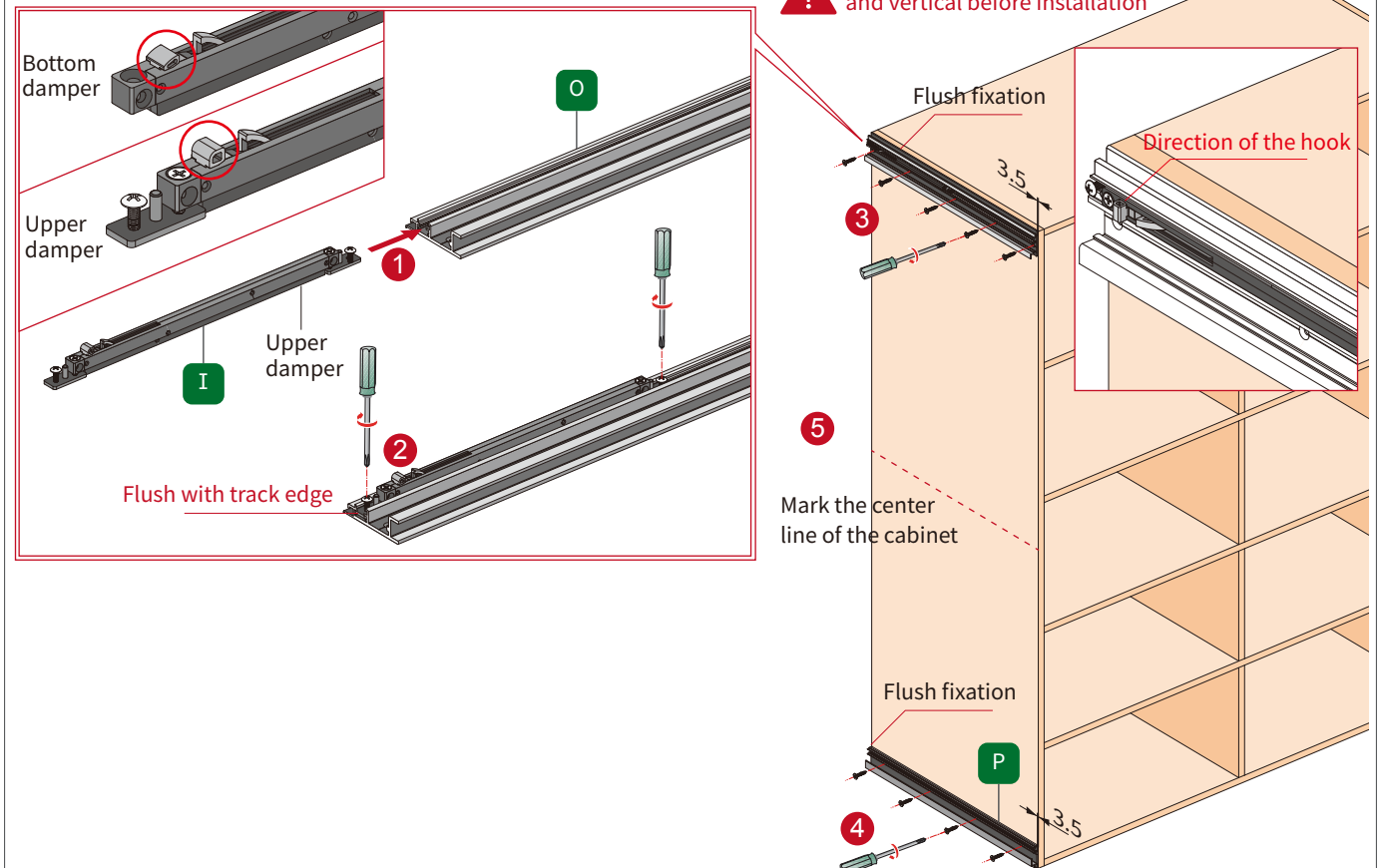
**1** Cut profile



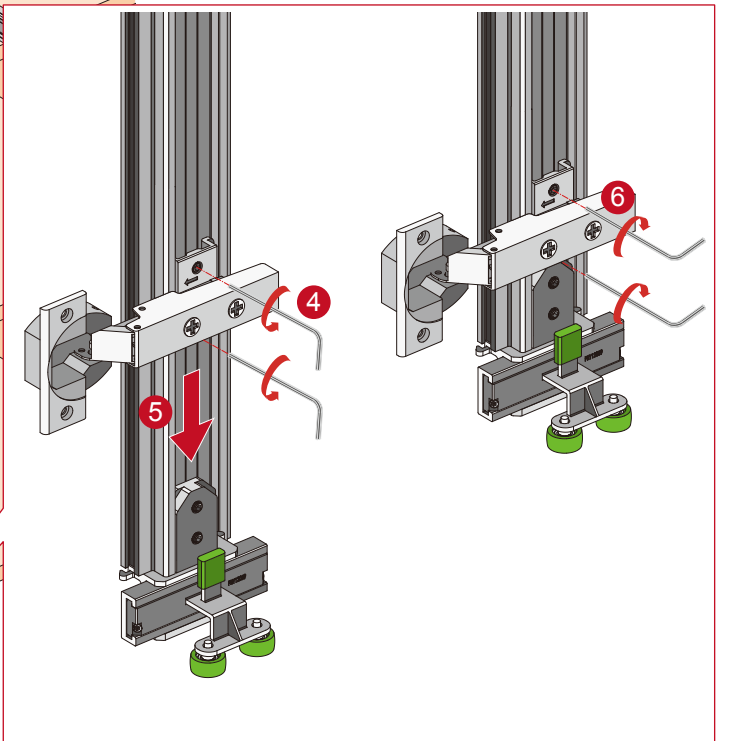
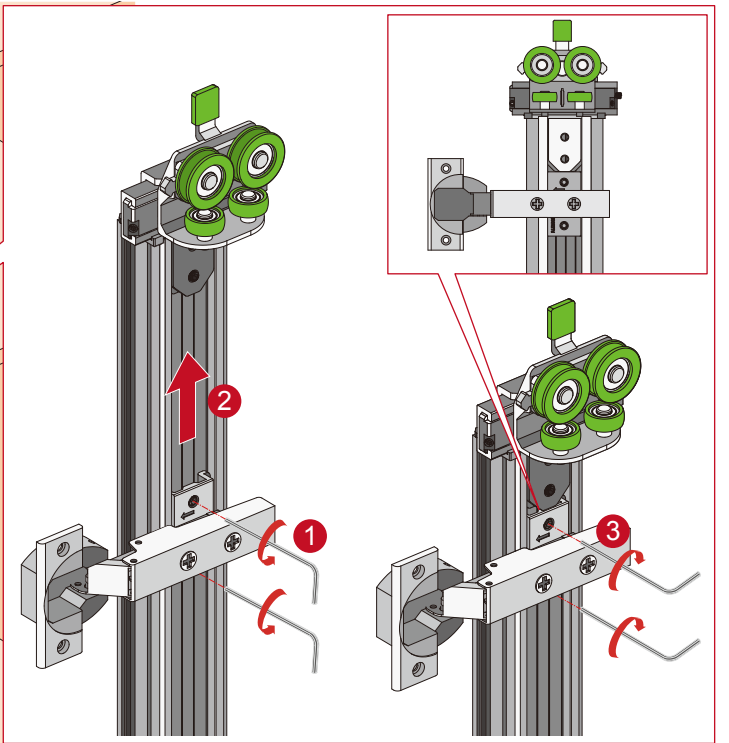
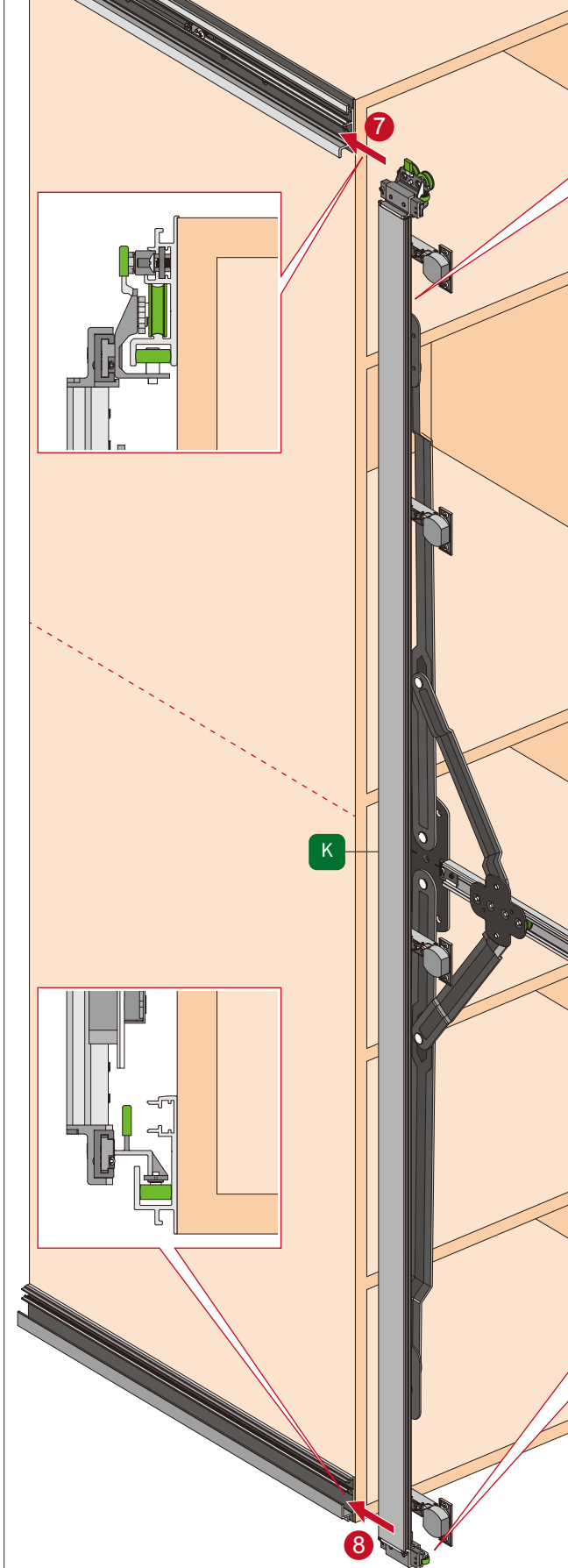
## 2 Cutting Center shaft Install the middle rail



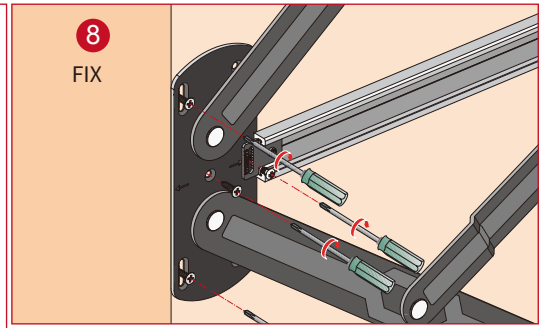
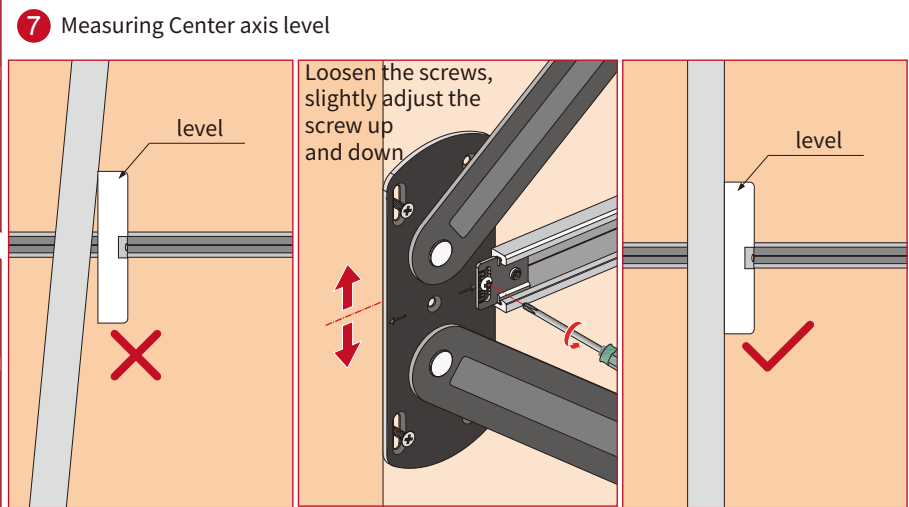
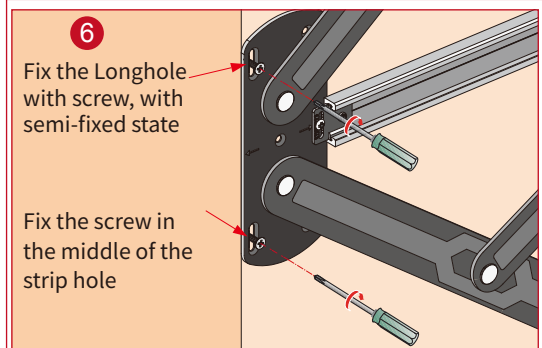
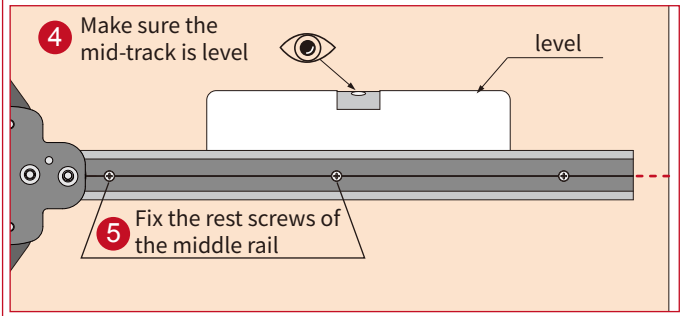
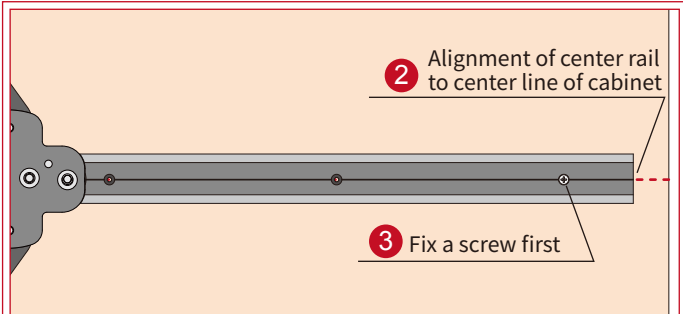
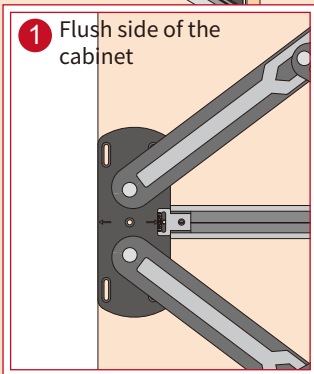
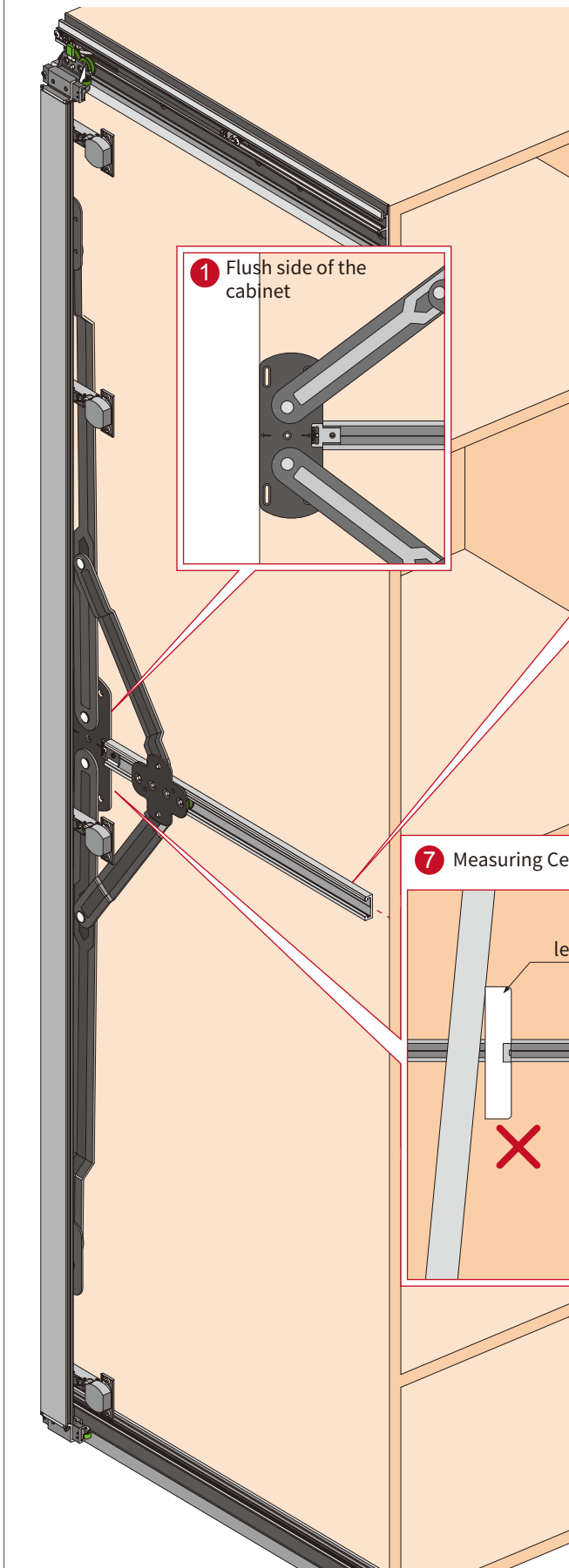
## 3 Install Upper Track & Lower Track



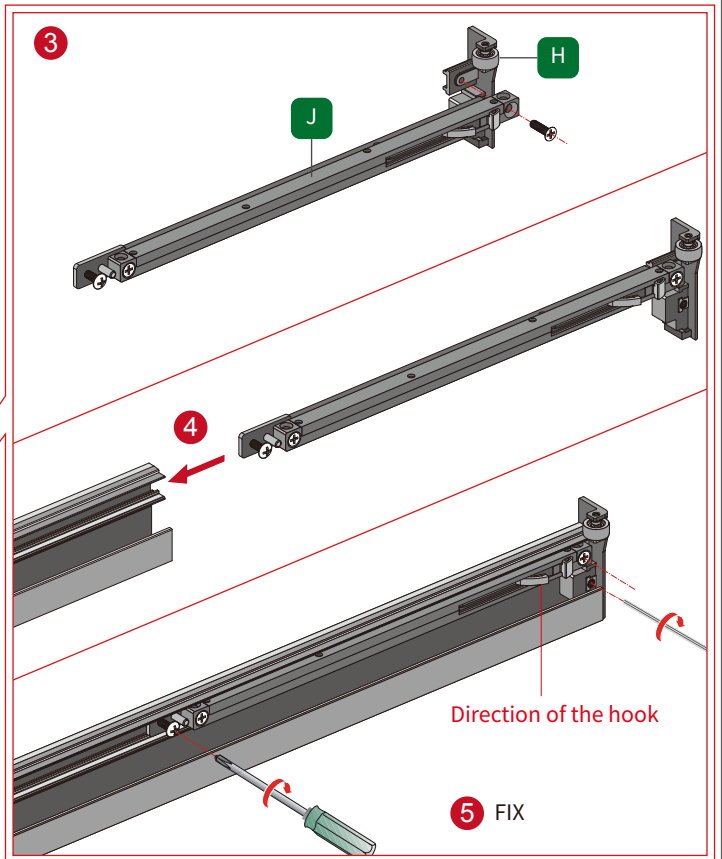
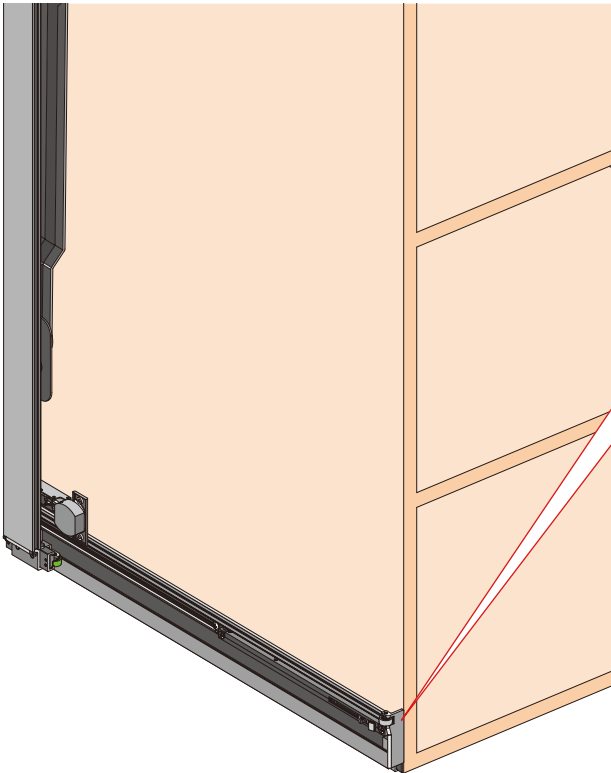
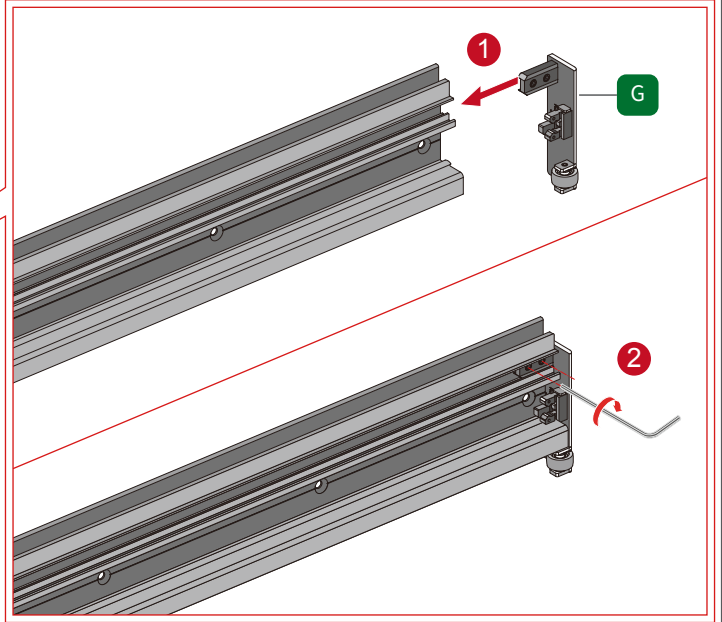
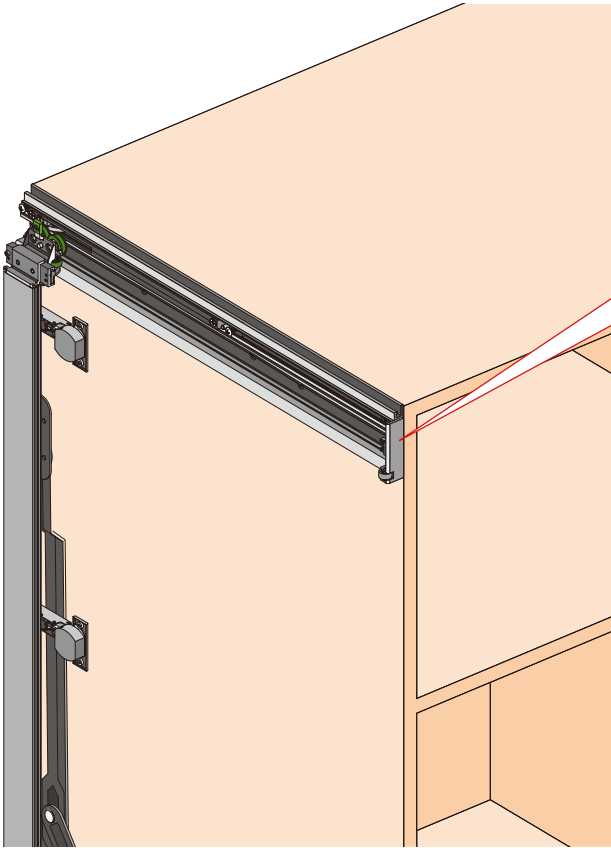
4-1 Mounting bracket



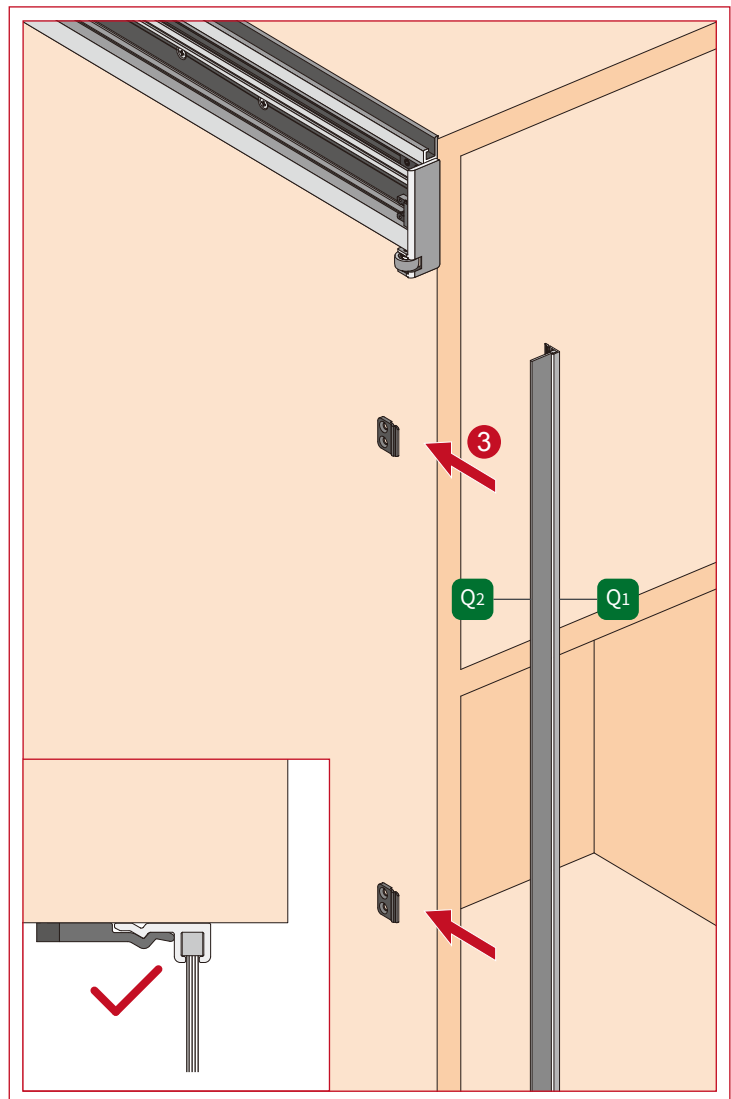
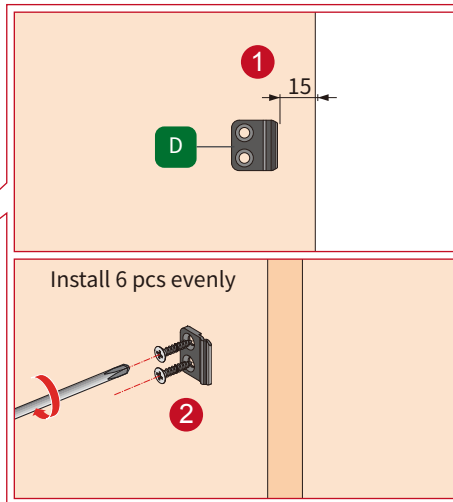
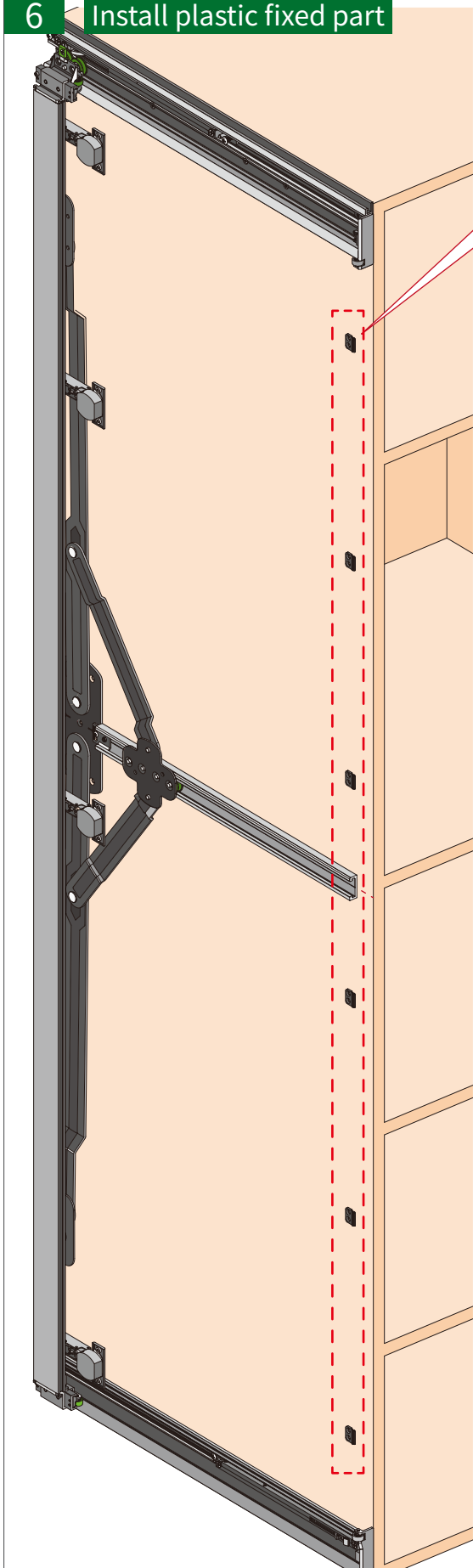
4-2 Mounting bracket



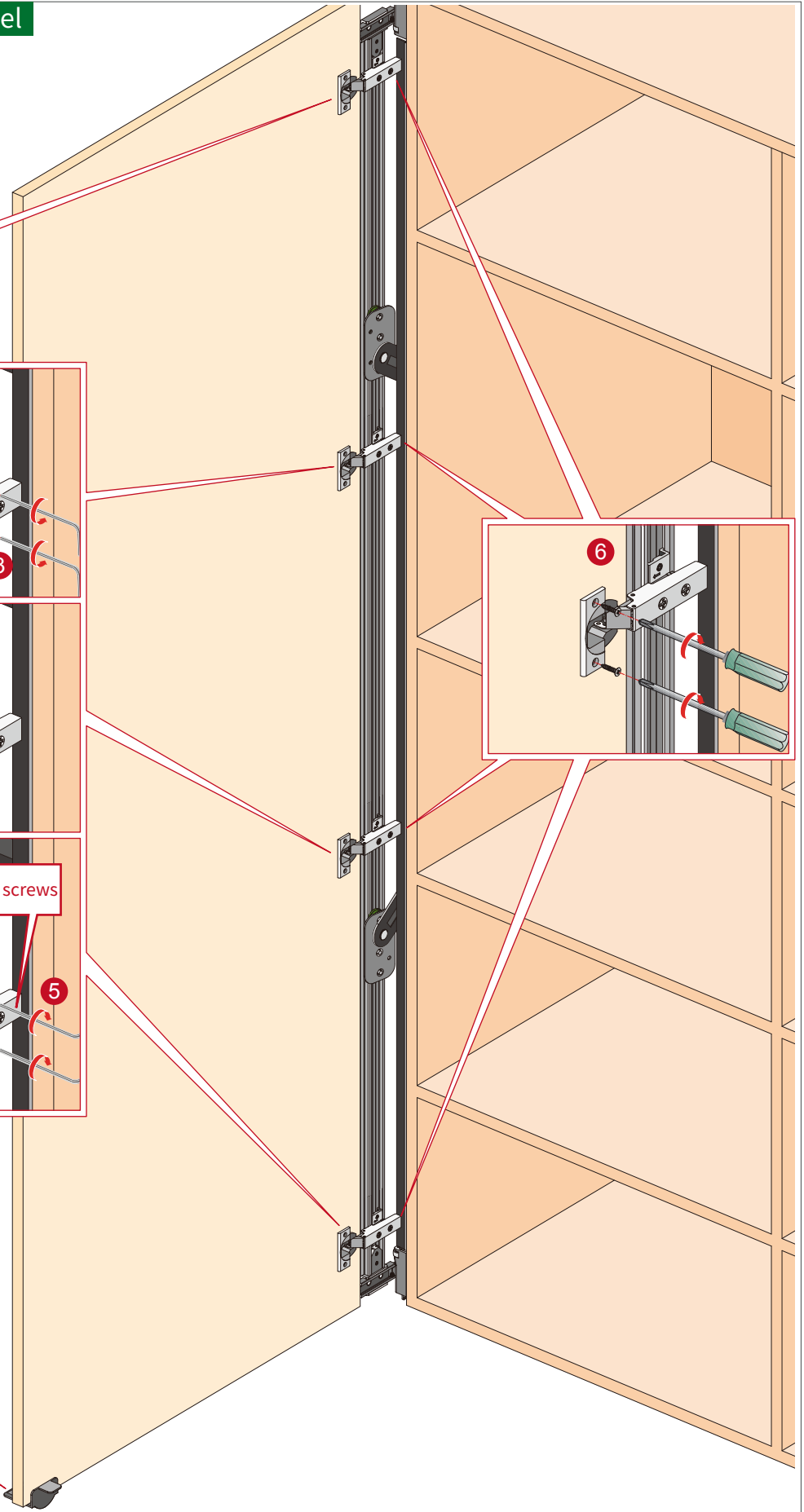
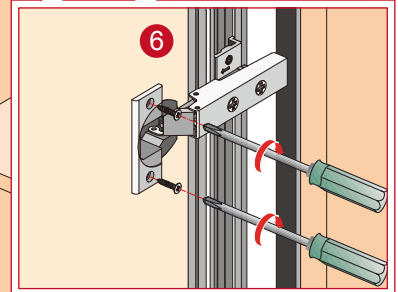
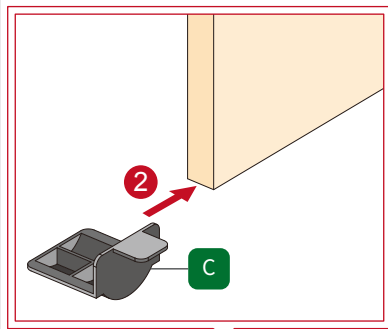
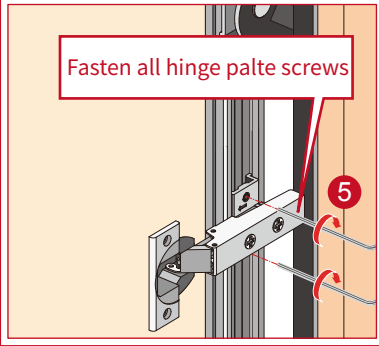
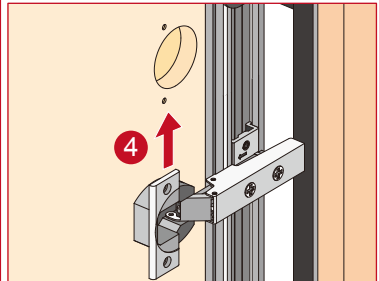
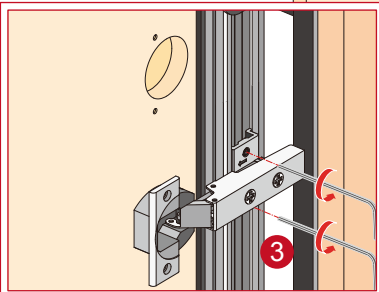
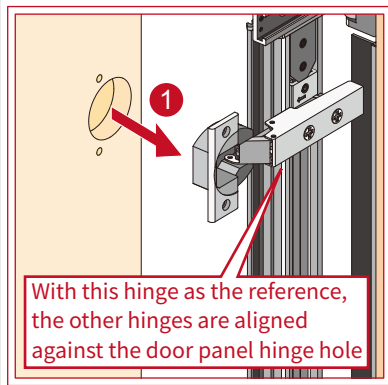
5 Install the Upper & Lower Plug



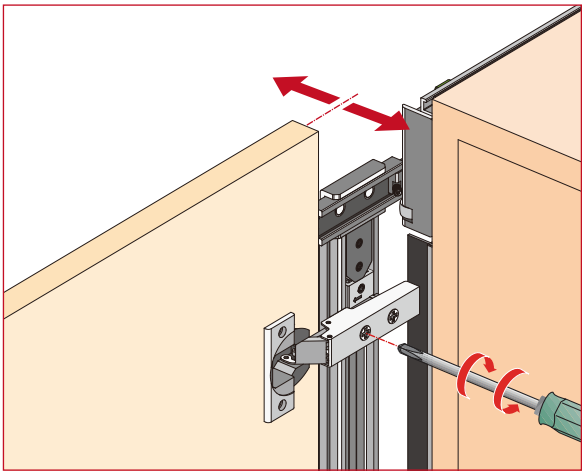
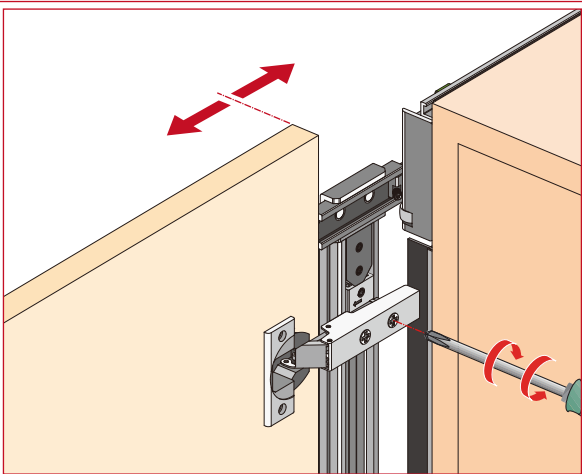
6 Install plastic fixed part



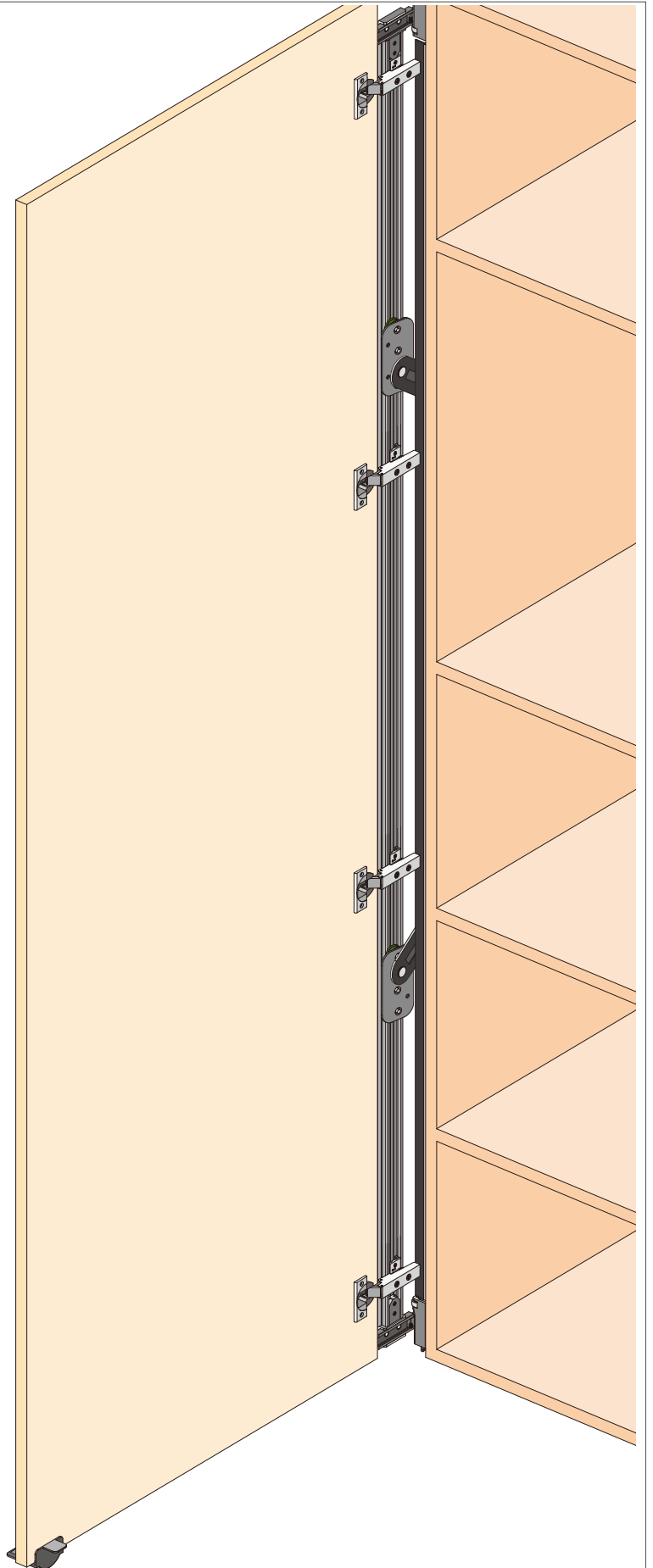
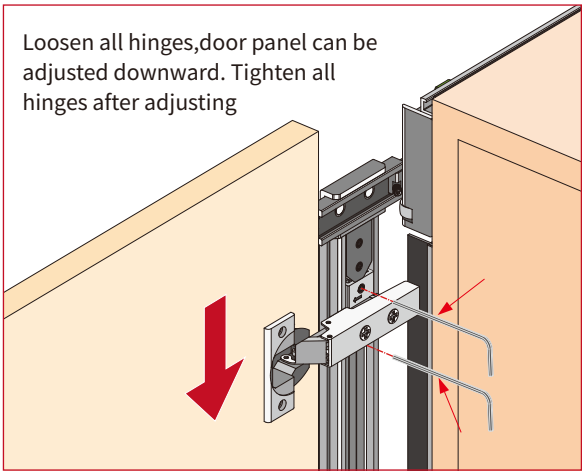
7 安装门扇 the door panel



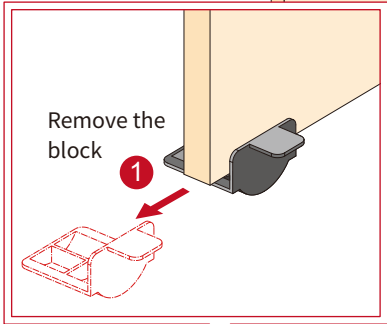
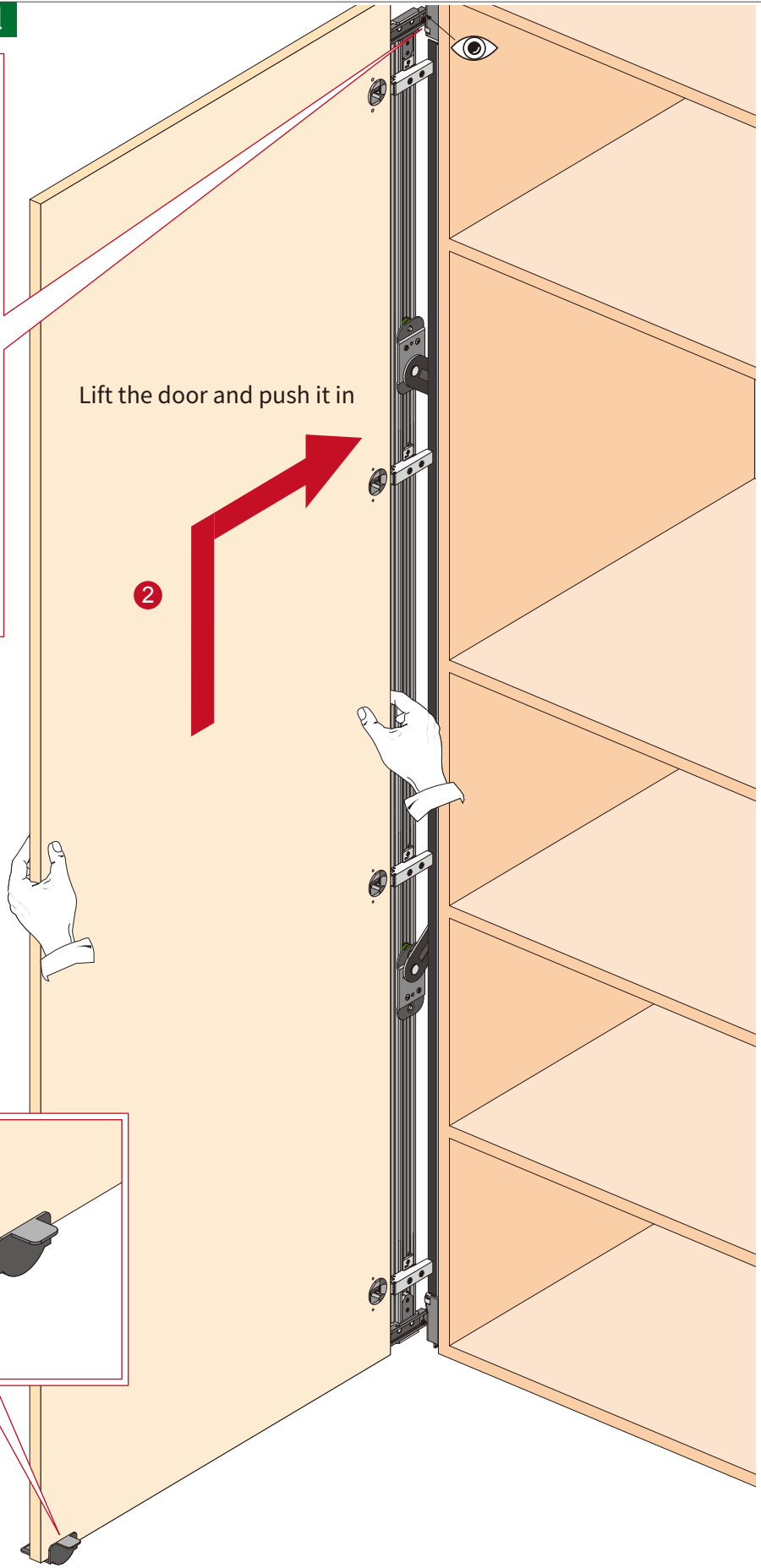
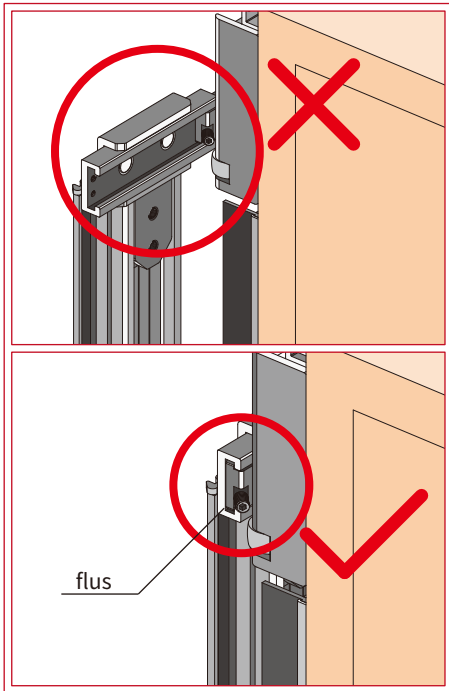
9 Adjust the door panel



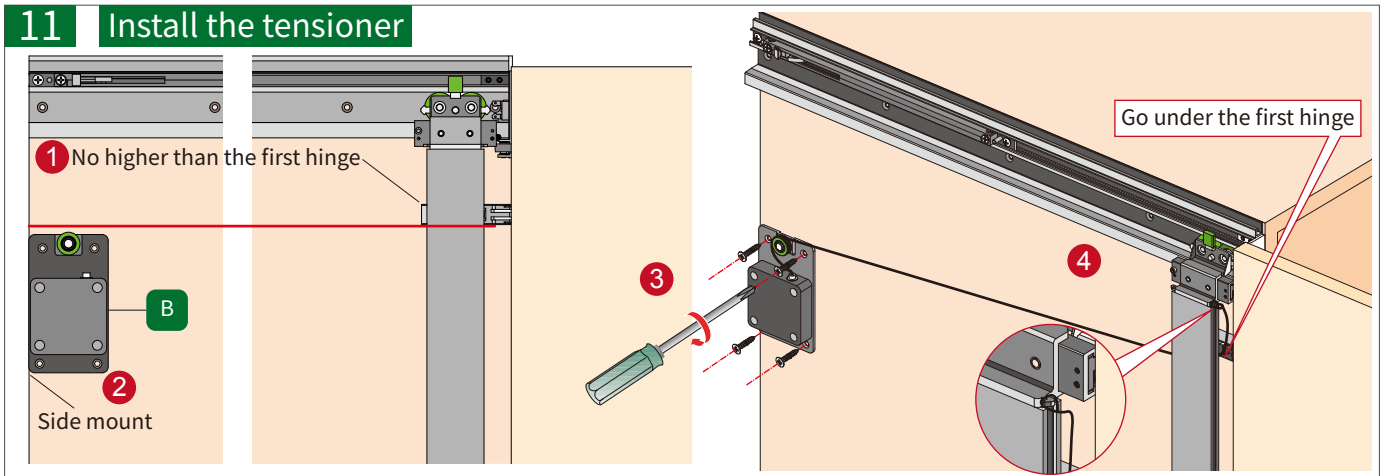
Loosen all hinges, door panel can be adjusted downward. Tighten all hinges after adjusting



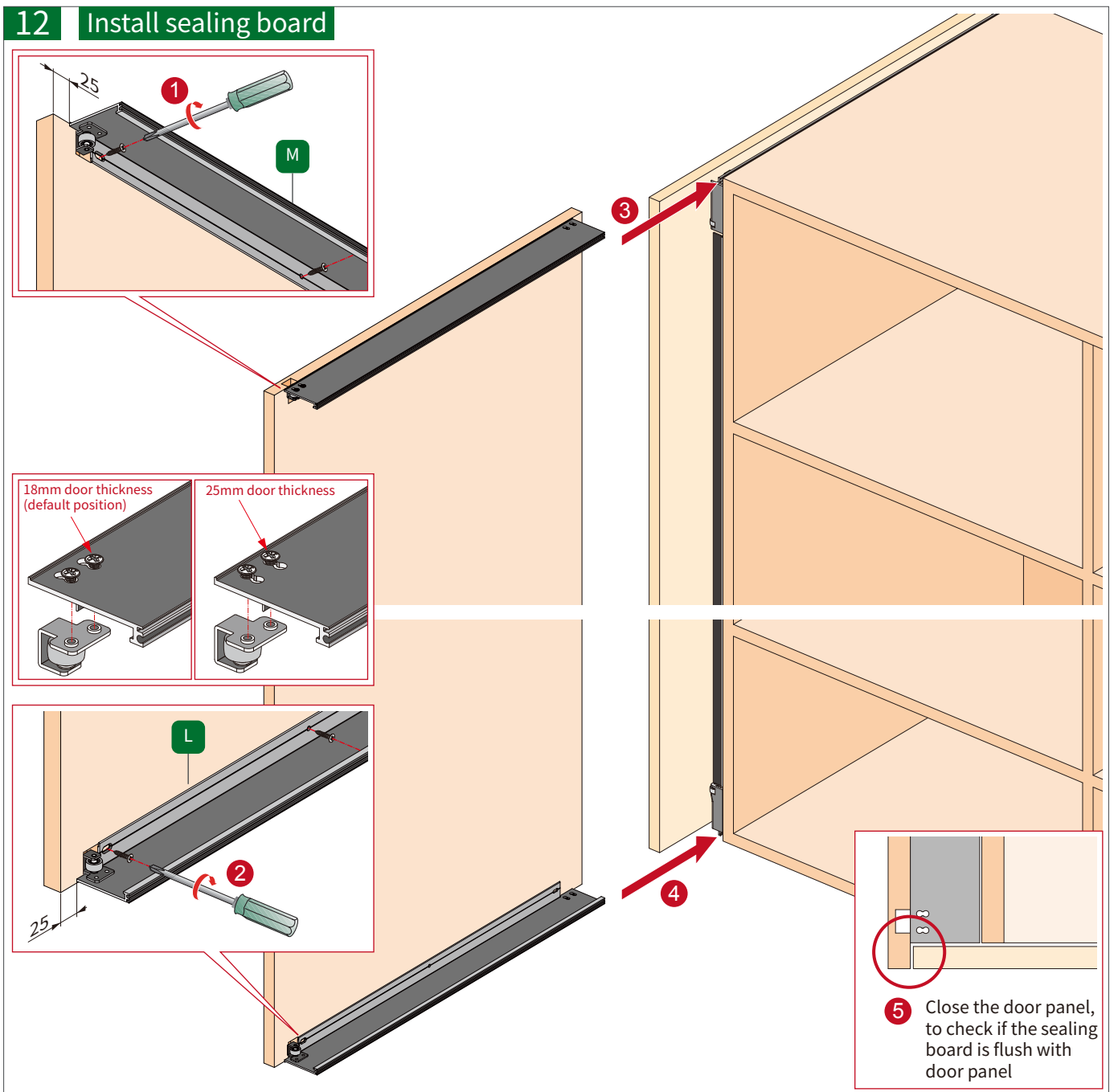
10 Promote the door panel



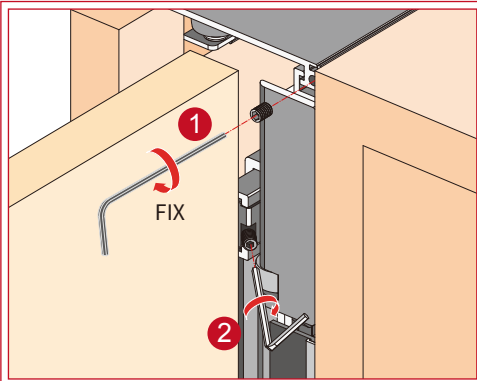
## 11 Install the tensioner



## 12 Install sealing board



### 13 Fixed sealing board & mounting decorative cover



Mounting decorative cover

