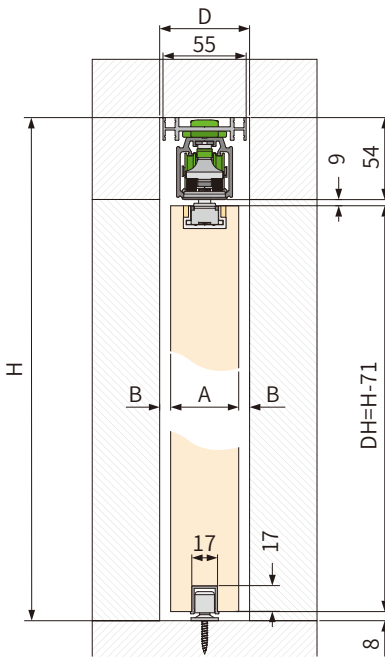
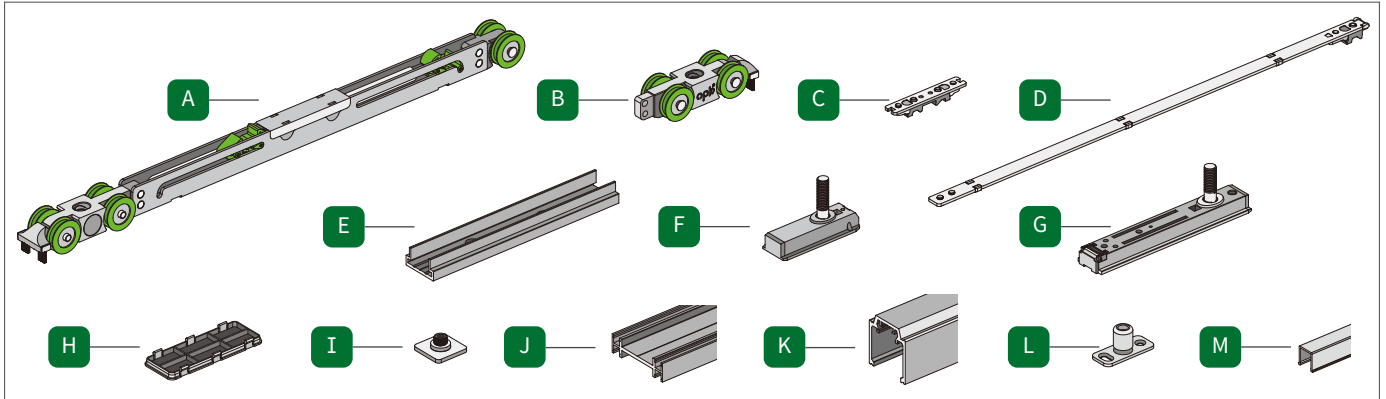
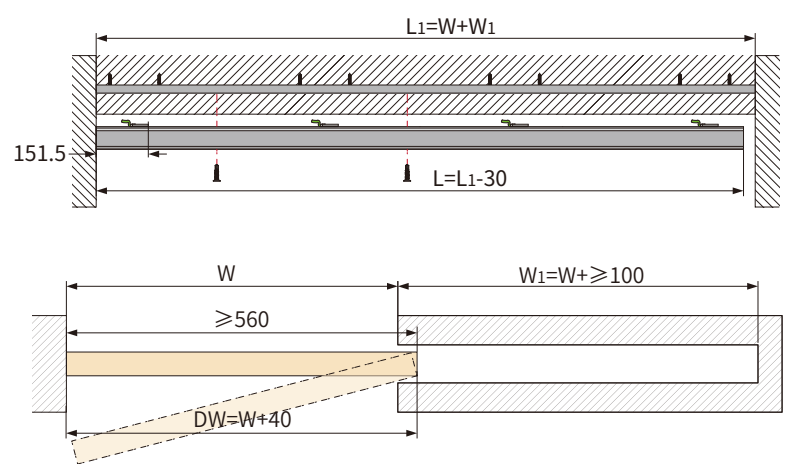


Spaceship15-A Pocket Wood Door Mounting Instruction

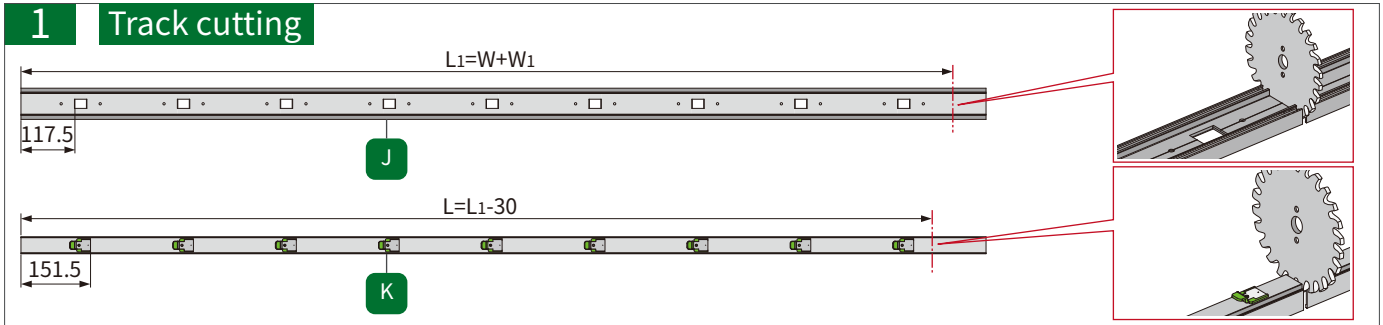


A	B	D
35	10	55
40	7.5	55
45	7.5	60

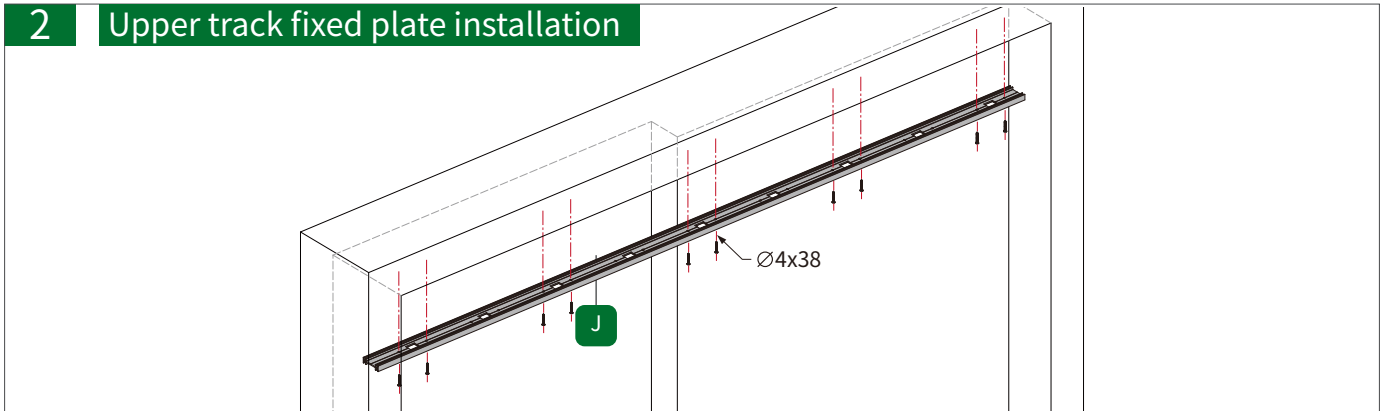
Light-duty 20-60kg
Normal 60-90kg



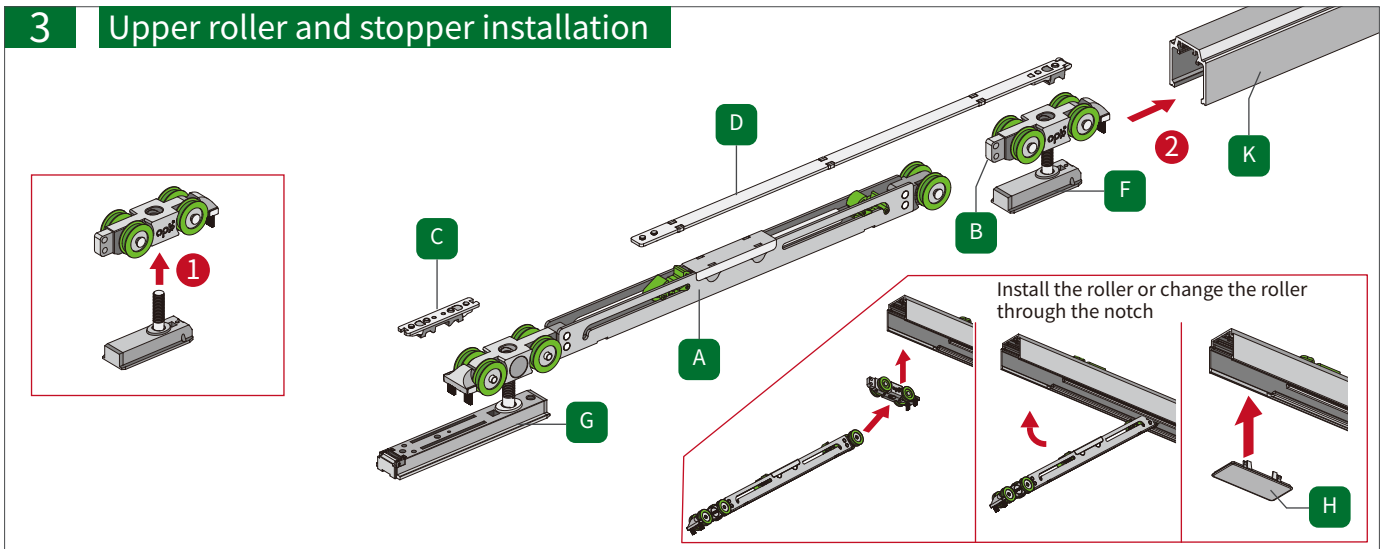
1 Track cutting



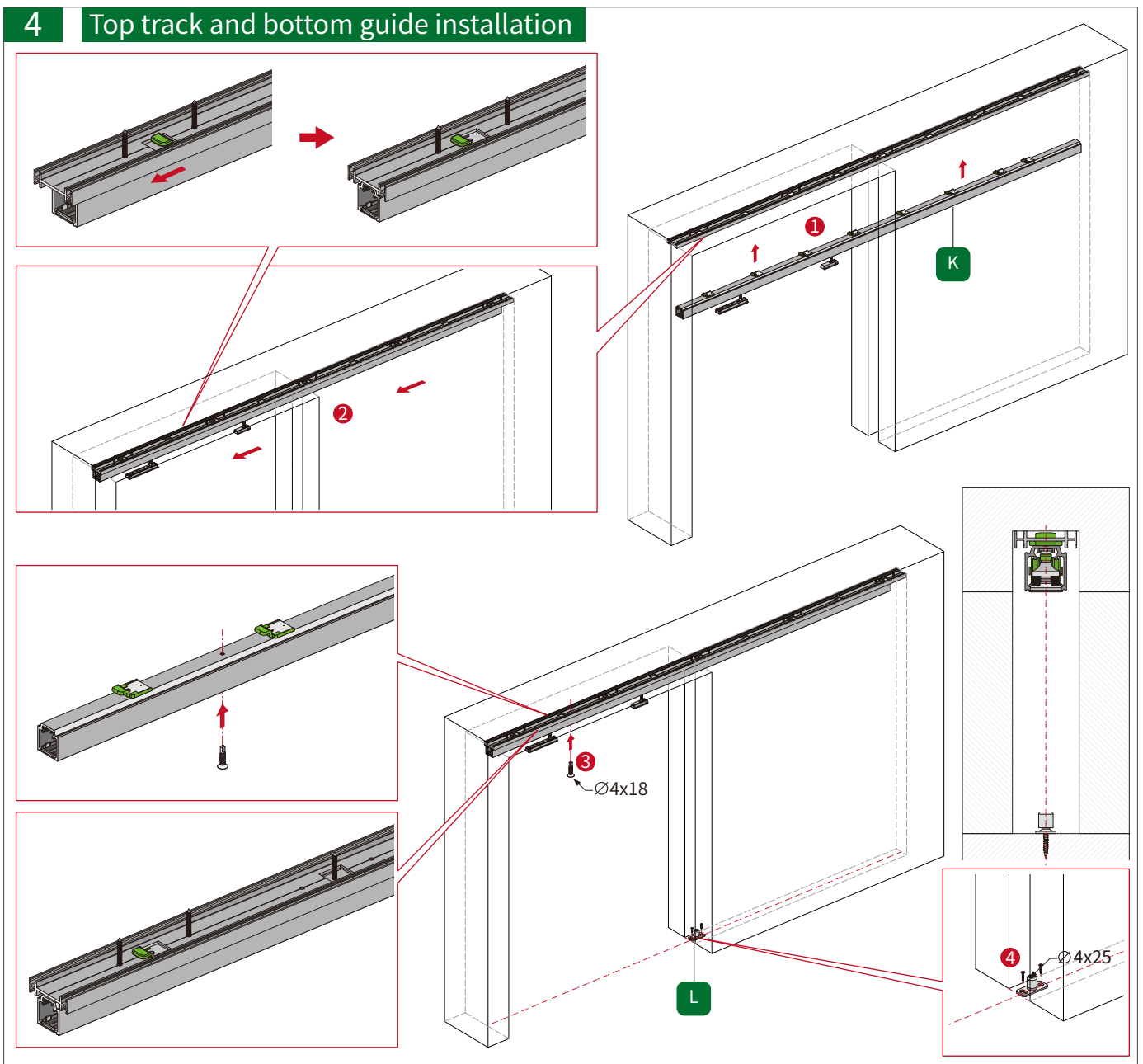
2 Upper track fixed plate installation



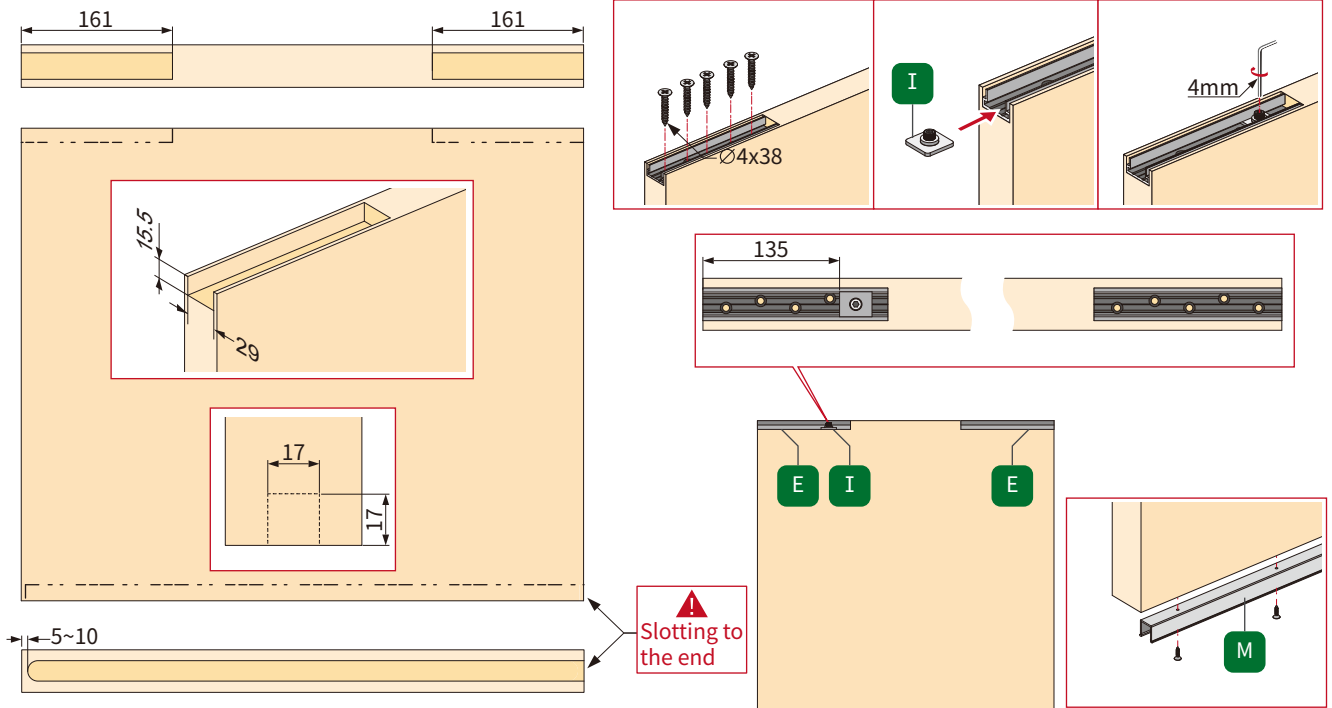
3 Upper roller and stopper installation



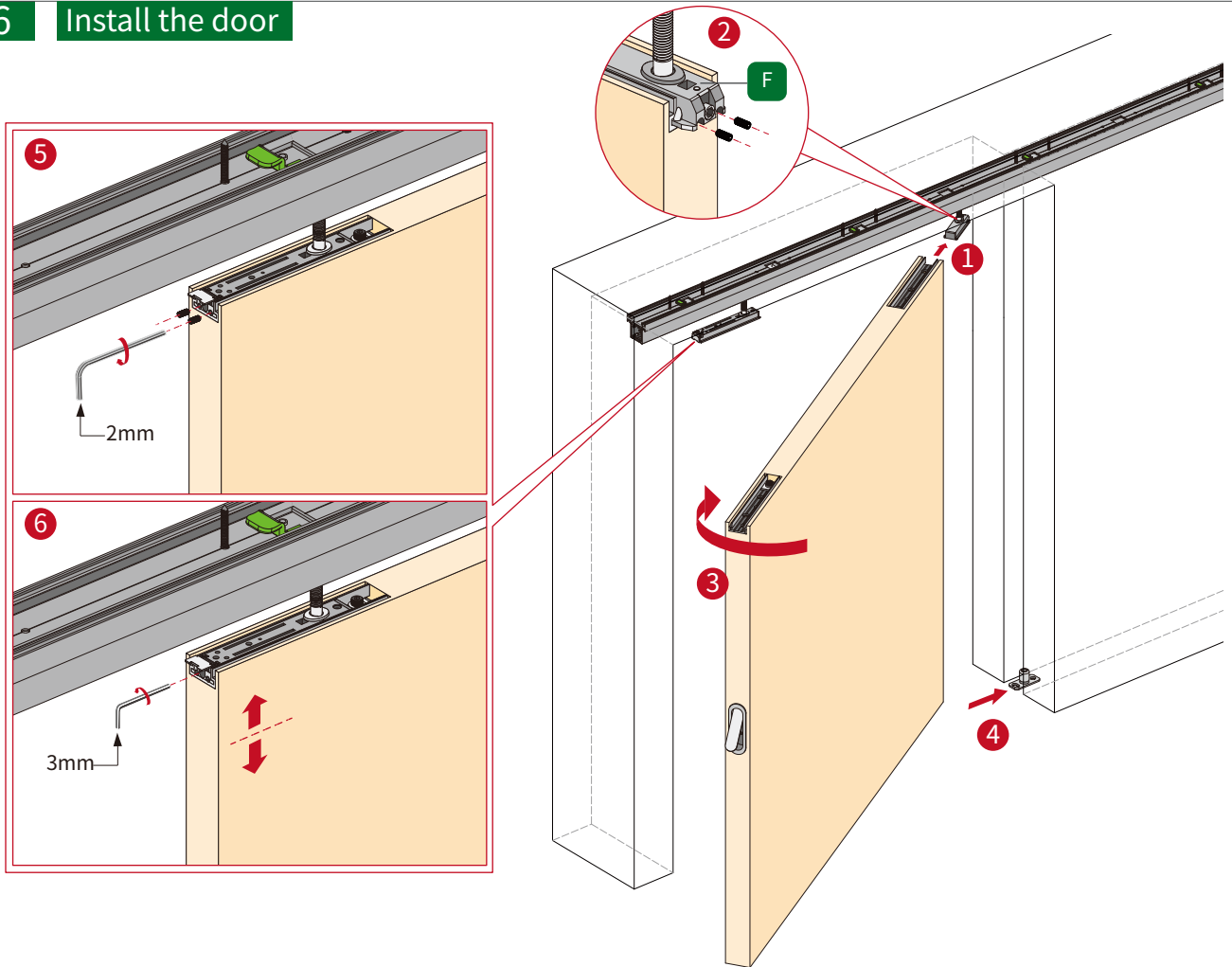
4 Top track and bottom guide installation



5 Door panel slotting size Install the panel and accessories



6 Install the door



7 Stopper positioning

